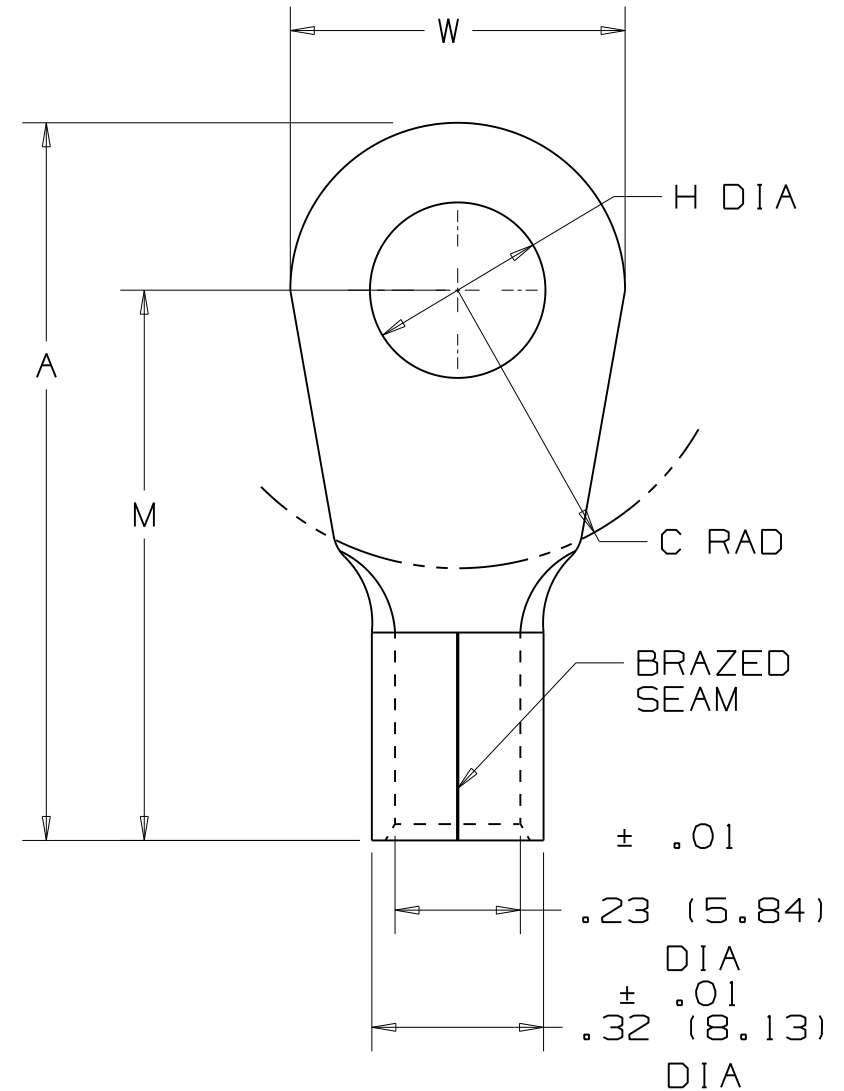


PANDUIT PART NUMBER	STUD SIZE	DIMENSIONS in.				
		A $\pm .03$	W $\pm .01$	C $\pm .02$	M $\pm .03$	H $\pm .01$
P6-8RHT6-E	#8	1.21 (30.73)	.47 (11.94)	.43 (10.92)	.97 (24.64)	.17 (4.32)
P6-10RHT6-E	#10	1.21 (30.73)	.47 (11.94)	.43 (10.92)	.97 (24.64)	.20 (5.08)
P6-10RHT6-T	#10	1.21 (30.73)	.47 (11.94)	.43 (10.92)	.97 (24.64)	.20 (5.08)
P6-14RHT6-E	1/4"	1.21 (30.73)	.47 (11.94)	.43 (10.92)	.97 (24.64)	.27 (6.86)
P6-56RHT6-E	5/16"	1.33 (33.78)	.62 (15.75)	.51 (12.95)	1.02 (25.91)	.33 (8.38)
P6-38RHT6-E	3/8"	1.33 (33.78)	.62 (15.75)	.51 (12.95)	1.02 (25.91)	.39 (9.91)
P6-12RHT6-E	1/2"	1.43 (36.32)	.82 (20.83)	.51 (12.95)	1.02 (25.91)	.52 (13.21)



NOTES:

- FOR #6 AWG STRANDED COPPER WIRE
- 650° F (343° C) MAX OPERATING TEMP
- PACKAGE QTY: STD. PKG. -E=20  
BULK PKG. -T=200
- MATERIAL: .045" (1.14) THK COPPER, NICKEL PLATED
- DIMENSIONS IN BRACKETS ARE IN MILLIMETERS
- INSTALLATION TOOL: CT-2600
- WIRE STRIP LENGTH: 7/16  $^{+1/32}_{-0}$  (11.1  $^{+.8}_{-0}$ )

00	6/08	BCT		RELEASED					
REV	DATE	BY	CHK	DESCRIPTION	ECN #	CUST	PM	DRAWN BY	CHK'D

**PANDUIT** CORP.

TINLEY PARK, ILLINOIS

#6 BARREL NON-INSULATED RING TONGUE

SCALE	NONE	DRAWING NO.	A41742
-------	------	-------------	--------